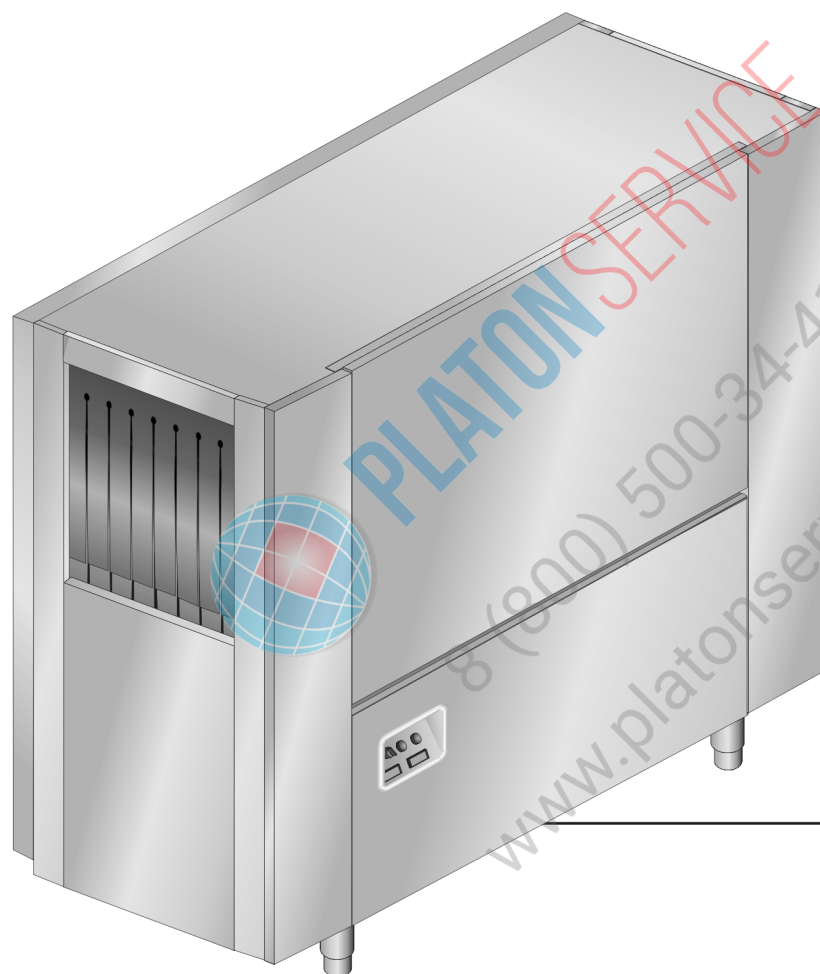

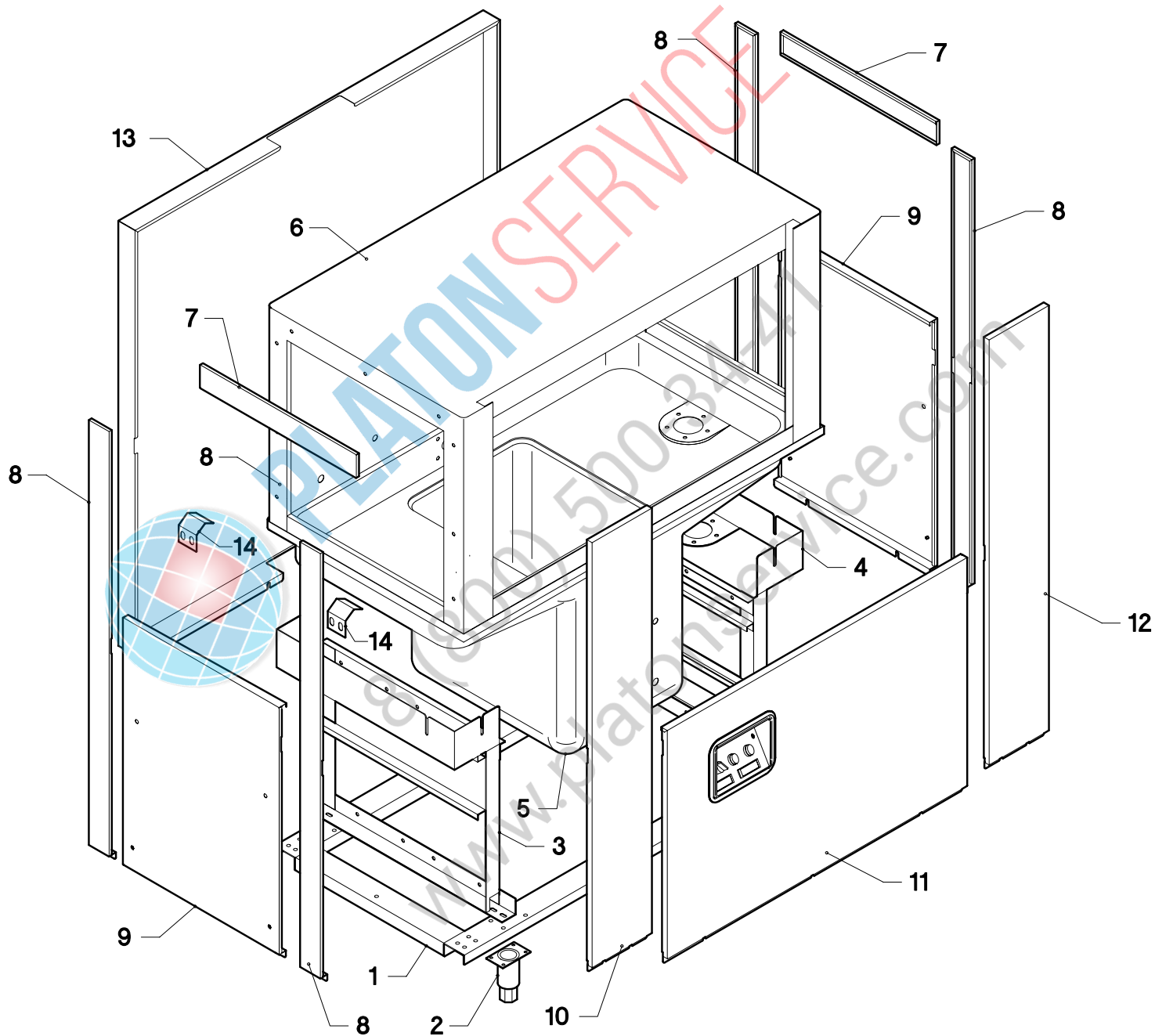


I	LAVASTOVIGLIE A TRAINO
F	LAVEUSES À TUNNEL
GB	RACK CONVEYOR MACHINES
D	ZÜGSPÜLMASCHINEN
ES	LAVAVAJILLAS DE ARRASTRE



**T 1400**

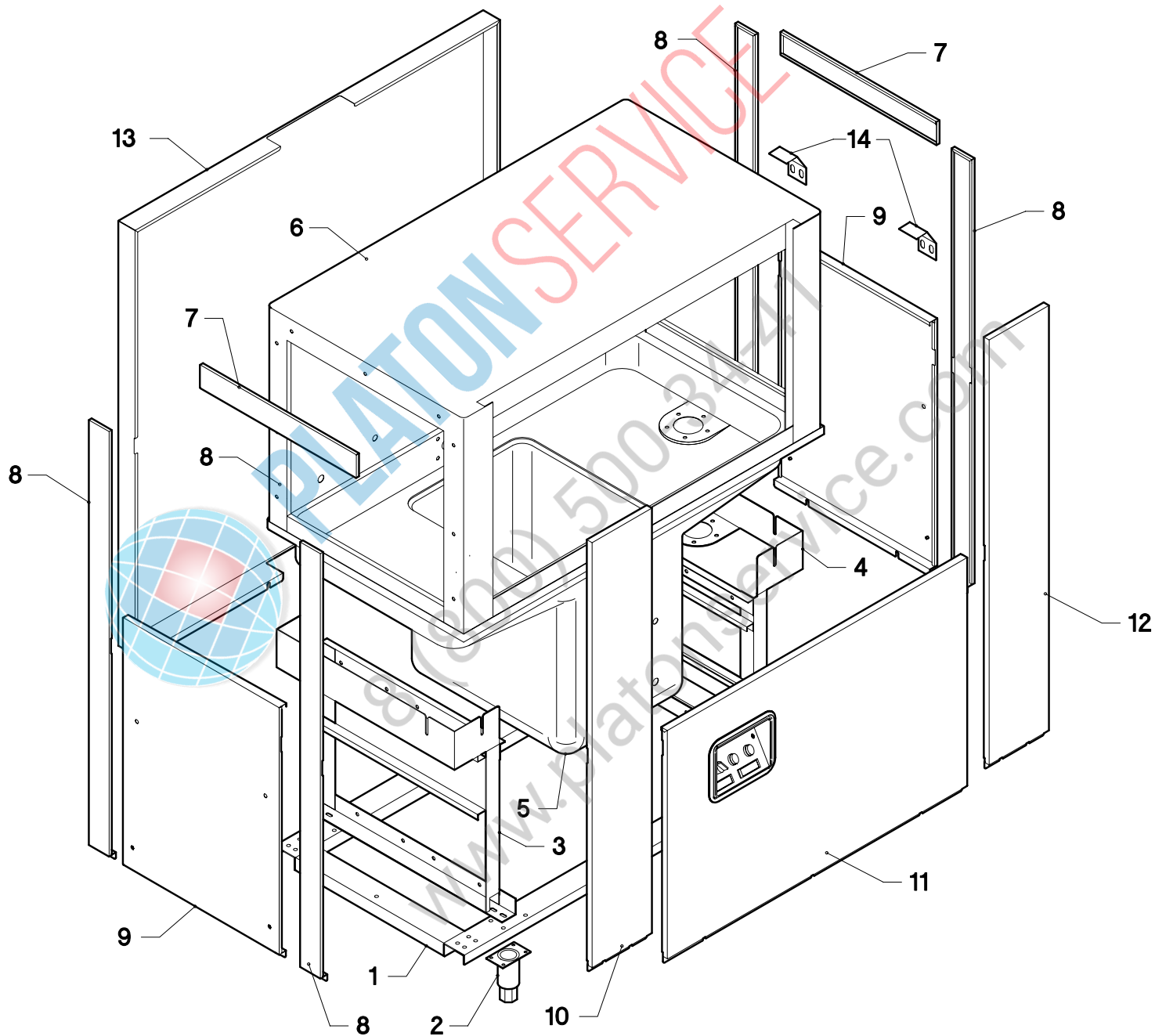
 <b>SILANOS<sup>®</sup></b> LAVASTOVIGLIE INDUSTRIALI	MANUALE PARTI DI RICAMBIO	
	CATALOGUES PIÈCES DETACHEES	
	SPARE PARTS MANUAL	
	ERSATZTEILEKATALOG	
ED. 2006	Cod. 501001 DX Cod. 501002 SX	MANUAL PARTES DE REPUESTOS



Pos.	COD.	Q.tà	DESCRIZIONE	DENOMINATION	DESCRIPTION	BEZEICHNUNG	DESCRIPCIÓN
1	TR3800	1	BASAMENTO	SOCLE	BASE	UNTERSTRUKTUR	BASE
2	TR0861	4	PIEDINO REGOLABILE	PETIT PIED RÉGABLE	RUBBER LEG	EINSTELLBARESOCKEL	PIÉ REGULABLE
3	TR3757	1	SUPPORTO VASCA	SUPPORT CUVE	TANK SUPPORT	TANKHALTERUNG	SOPORTE PILETA
4	TR3804	1	SUPPORTO MOTORIDUTTORE	SUPPORT MOTOREDUCTEUR	SPEED REDUCER SUPPORT	GETRIEBEMOTORTRÄGER	SOPORTE MOTORREDUCTOR
5	TR3604	1	VASCA	BASSIN	TANK	WANNE	BATEA
6	TR3830	1	CAPOTE	CAPOTE	HOOD	GEHAUSE	CAPOTE
7	TR3736	2	PANNELLO SUPERIORE USCITA	PANNEAU SUPÉRIEUR SORTIE	UPPER PANEL OF THE EXIT	OBERER VERKLEIDUNG AUSGANG	PANEL SUPERIOR SALIDA
8	TR3730	4	PANNELLO LATERALE USCITA	PANNEAU LATERAL SORTIE	LATERAL PANEL OF THE EXIT	SEITLICH VERKLEIDUNG AUSGANG	PANEL LATERAL SALIDA
9	TR3732	2	PANNELLO INFERIORE USCITA	PANNEAU INFÉRIEUR SORTIE	LOWER PANEL OF THE EXIT	UNTERE VERKLEIDUNG AUSGANG	PANEL INFERIOR SALIDA
10	TR3726	1	PANNELLO FRONTALE SX	PANNEAU FRONTAL SORTIE	FRONTAL PANEL OF THE EXIT	FRONT VERKLEIDUNG AUSGANG	PANEL FRONTAL SALIDA
11	TR3755	1	PANNELLO INFERIORE	PANNEAU INFÉRIEUR	LOWER PANEL	UNTERE VERKLEIDUNG	PANEL INFERIOR
12	TR3729	1	PANNELLO FRONTALE DX	PANNEAU FRONTAL DROITE	RIGHT FRONTAL PANEL	RECHTE FRONT VERKLEIDUNG	PANEL FRONTAL DERECHO
13	TR3753	1	PANNELLO POSTERIORE	PANNEAU POSTÉRIEUR	BACK PANEL	HINTERE VERKLEIDUNG	PANEL POSTERIOR
14	TR2163	2	SQUADRETTA USCITA CESTELLO	EQUERRE SORTIE PANIER	BRACKET UNLOADING	TRACKAUSLAUFWINKEL KORBUF.	ANGULAR SALIDA CANASTO



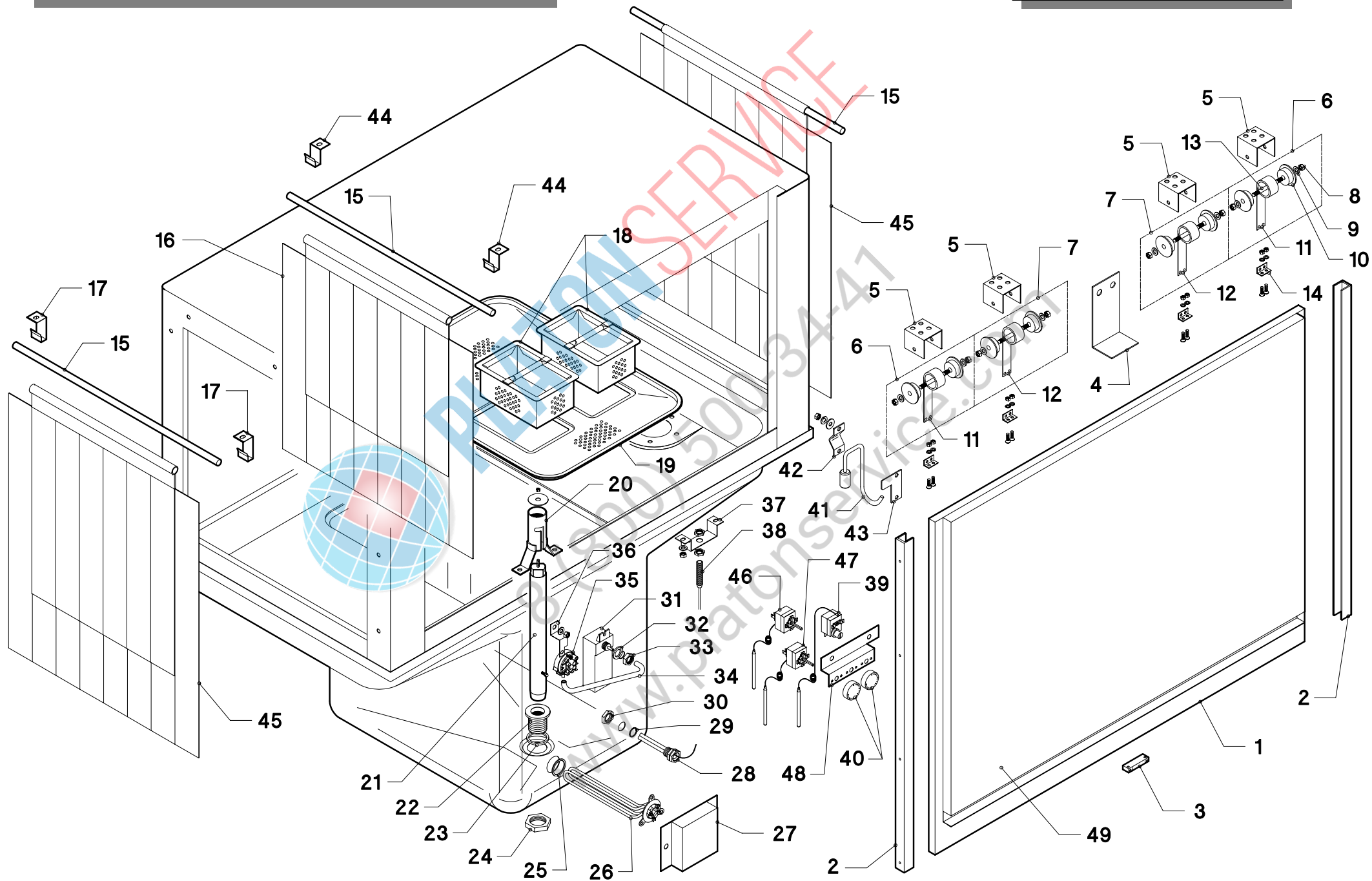
PLATON SERVICE  
 8 (800) 500-2441  
 www.platonservice.com



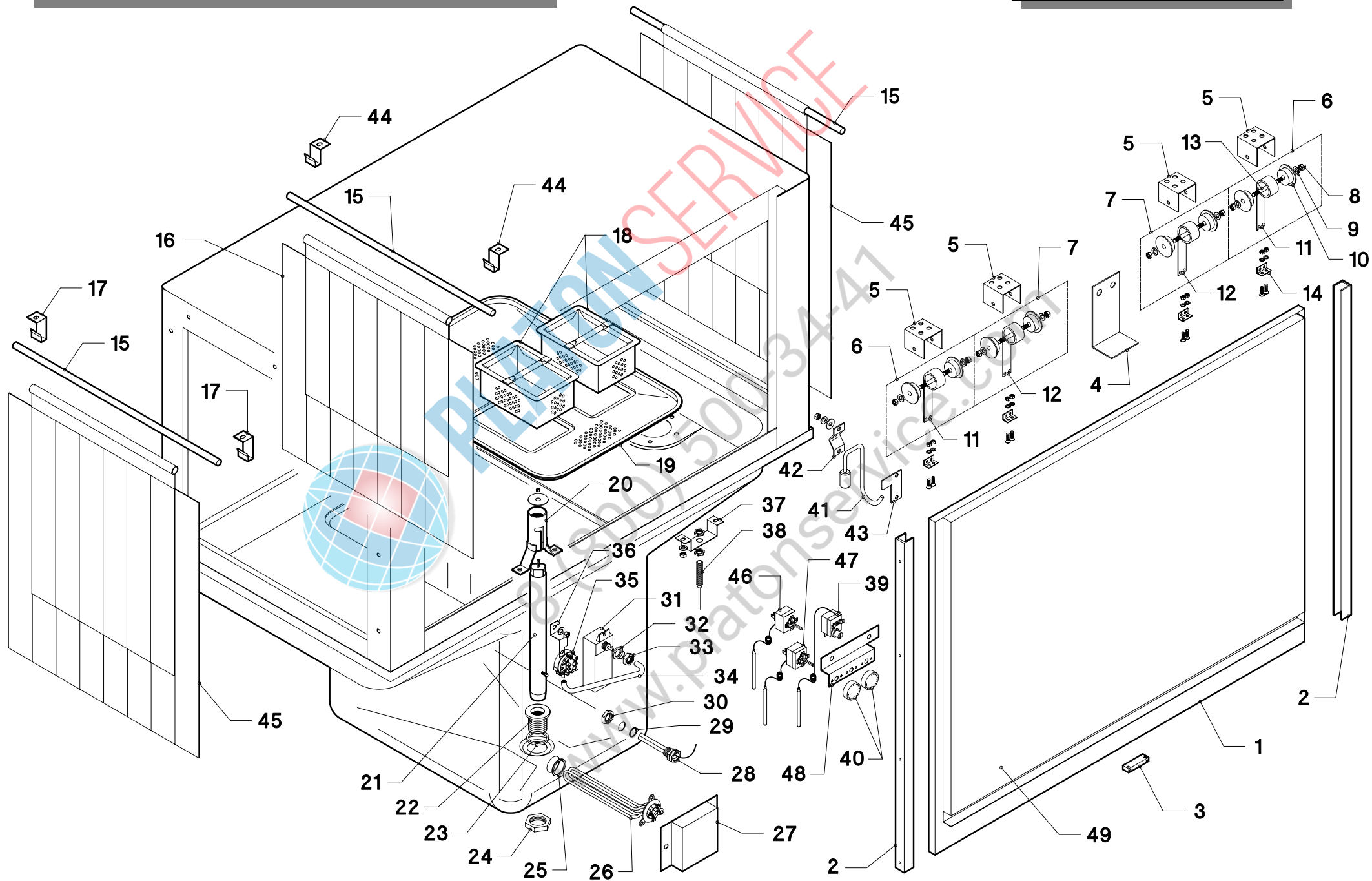
Pos.	COD.	Q.tà	DESCRIZIONE	DENOMINATION	DESCRIPTION	BEZEICHNUNG	DESCRIPCIÓN
1	TR3800	1	BASAMENTO	SOCLE	BASE	UNTERSTRUKTUR	BASE
2	TR0299	4	PIEDINO REGOLABILE	PETIT PIED RÉGABLE	RUBBER LEG	EINSTELLBARESOCKEL	PIÉ REGULABLE
3	TR3757	1	SUPPORTO VASCA	SUPPORT CUVE	TANK SUPPORT	TANKHALTERUNG	SOPORTE PILETA
4	TR3804	1	SUPPORTO MOTORIDUTTORE	SUPPORT MOTOREDUCTEUR	SPEED REDUCER SUPPORT	GETRIEBEMOTORTRÄGER	SOPORTE MOTORREDUCTOR
5	TR3604	1	VASCA	BASSIN	TANK	WANNE	BATEA
6	TR3830	1	CAPOTE	CAPOTE	HOOD	GEHAUSE	CAPOTE
7	TR3736	2	PANNELLO SUPERIORE USCITA	PANNEAU SUPÉRIEUR SORTIE	UPPER PANEL OF THE EXIT	OBERER VERKLEIDUNG AUSGANG	PANEL SUPERIOR SALIDA
8	TR3730	4	PANNELLO LATERALE USCITA	PANNEAU LATERAL SORTIE	LATERAL PANEL OF THE EXIT	SEITLICH VERKLEIDUNG AUSGANG	PANEL LATERAL SALIDA
9	TR3732	2	PANNELLO INFERIORE USCITA	PANNEAU INFÉRIEUR SORTIE	LOWER PANEL OF THE EXIT	UNTERE VERKLEIDUNG AUSGANG	PANEL INFERIOR SALIDA
10	TR3726	1	PANNELLO FRONTALE SX	PANNEAU FRONTAL SORTIE	FRONTAL PANEL OF THE EXIT	FRONT VERKLEIDUNG AUSGANG	PANEL FRONTAL SALIDA
11	TR3755	1	PANNELLO INFERIORE	PANNEAU INFÉRIEUR	LOWER PANEL	UNTERE VERKLEIDUNG	PANEL INFERIOR
12	TR3729	1	PANNELLO FRONTALE DX	PANNEAU FRONTAL DROITE	RIGHT FRONTAL PANEL	RECHTE FRONT VERKLEIDUNG	PANEL FRONTAL DERECHO
13	TR3753	1	PANNELLO POSTERIORE	PANNEAU POSTÉRIEUR	BACK PANEL	HINTERE VERKLEIDUNG	PANEL POSTERIOR
14	TR2163	2	SQUADRETTA USCITA CESTELLO	EQUERRE SORTIE PANIER	BRACKET UNLOADING	TRACKAUSLAUFWINKEL KORBUF.	ANGULAR SALIDA CANASTO



PLATON SERVICE  
 8 (800) 500-2441  
 www.platonservice.com



Pos.	COD.	Q.tà	DESCRIZIONE	DENOMINATION	DESCRIPTION	BEZEICHNUNG	DESCRIPCIÓN
1	TR3780	1	PORTA	PORTE	DOOR	TÜR	PUERTA
2	TR3781	2	GUIDA SCORRIMENTO	RAIL	GUIDE	FÜHRUNG	GUIA DESLIZAMENTO
3	TR0220	1	CUSTODIA CON MAGNETE	PROTECTION MAGNETO	COVER MAGNET	MAGNETSCHUTZ	ESTUCHE CON IMÁN
4	TR2185	1	FERMO PORTA	FERMETURE PORTE	DOOR SUPPORT	TÜR HALTERUNG	TOPE PUERTA
5	TR2008	4	SQUADR. FISSAGGIO MOLLA	EQUERRE POUR RESSORT	SPRING SUPPORT	FEDER TRÄGER	ANGULAR FIJADORESORTE
6	TR1865	2	SUPP. CON MOLLA PORTA COMPL.	SUPP. AVEC RESSORT PORTE COMPL.	SUPP. WITH DOOR SPRING COMPL.	TRÄGER MIT FEDER TÜR VOLLSTÄNDIG	SOP. CON RESORTE PUERTA COMP.
7	TR1866	2	SUPP. CON MOLLA PORTA COMPL.	SUPP. AVEC RESSORT PORTE COMPL.	SUPP. WITH DOOR SPRING COMPL.	TRÄGER MIT FEDER TÜR VOLLSTÄNDIG	SOP. CON RESORTE PUERTA COMP.
8	902019	8	DADO M8 AUTOBLOCCANTE	ECROU AUTO-BLOQUANT	SELF-LOCKING NUT	SELBSTSICHERNDE MUTTER	TUERCA AUTOBLOQUEANTE
9	906050	8	RONDELLA PIANA	RONDELLE	WASHER	UNTERLEGSCHIEBE	ARANDELA
10	TR0999	8	SUPP. SCORRIMENTO MOLLA	SUPPORT POUR RESSORT	SPRING SUPPORT	FEDER TRÄGER	SOP. DESLIZAMIENTO RESORTE
11	TR1853	2	MOLLA KG.5,2	RESSORT	SPRING	FEDER	RESORTE
12	TR1854	2	MOLLA KG.2,95	RESSORT	SPRING	FEDER	RESORTE
13	956054	4	PERNO AGGANCIAMENTO MOLLA	PIVOT RESSORT	SPRING PIN	ZAPFEN FEDER	PERNO RESORTE
14	TR0607	4	AGGANCIAMENTO MOLLA	CROCHET RESSORT	SPRING HOOKING	KUPPLUNGFEDER	ENGANCHE RESORTE
15	TR2034	3	ALBERO PER TENDINA	ARBRE RIDEAU	CURTAIN ROD	HALTERUNG	EJE PARA CORTINILLA
16	TR0460	1	TENDINA	RIDEAU	CURTAIN	SPRITZSCHUTZ	CORTINILLA
17	TR2169	4	SQUADRETTA TENDINA	EQUERRE RIDEAU	CURTAIN BRACKET	WINKEL SPRITZSCHUTZ	ANGULAR CORTINILLA
18	906704	2	FILTRO A CASSETTO	TIROIR FILTRE	DRAWER FILTER	FACH-FILTER	FILTRO A CAJÓN
19	TR3602	1	FILTRO VASCA	FILTRE BASSIN	TANK FILTER	FILTER WANNE	FILTRO BATEA
20	TR0464	1	GUIDA TROPPOPIENO	COULISSE NIVEAU	OVER FLOW GUIDE	UBERLAUFROHR KORB	GUIA DEMASIADOLLENO
21	TR1114	1	TROPPO PIENO	NIVEAU	OVER FLOW	VEBERLAUF	DAMISIADO LLENO
22	TR1234	1	RACCORDO 1" ¼	RACCORD	PIPE FITTING	ANSCHLUSSE	EMPALME
23	904380	1	O-RING	O-RING	O-RING	O-RING	O-RING
24	902080	1	GHIERA 1" ¼	VIROLE	LOCK NUT	NUT MUTTER	ABRAZADERA
25	907981	1	O-RING	O-RING	O-RING	O-RING	O-RING
26	TR0335	1	RESISTENZA 8000W	RESISTANCE	HEATING ELEMENT	HEIZKÖRPER	RESISTENCIA
27	TR1037	1	COPRIRESISTENZA	PROTECTION RESISTANCE	HEATING COVER	HEIZKÖRPER SCHUTZ	CUBRE RESISTENCIA
28	TR0298	1	PORTABULBO	SIEGE DE BULBE	SEATING BULB	KUGEL SITZ	PORTABULBO
29	903250	1	GUARNIZIONE 1/2"	JOINT	GASKET	DICHTUNG	GUARNICIÓN
30	902110	1	GHIERA 1/2"	VIROLE	LOCK NUT	NUT MUTTER	ABRAZADERA
31	TR0268	1	TRAPPOLA ARIA	RESERVOIR AIR	AIR TRAP	LUFTFALLE	TRAMPA DEL AIRE
32	903260	1	GUARNIZIONE	JOINT	GASKET	DICHTUNG	GUARNICIÓN
33	902100	1	DADO 3/8"	ECROU	NUT	MUTTER	TUERCA
34	907272	1	TUBO PRESSOSTATO	TUYAU PRESSOSTAT	PRESSURE SWITCH PIPE	SCHLAUCH	TUBO PRESÓSTATO

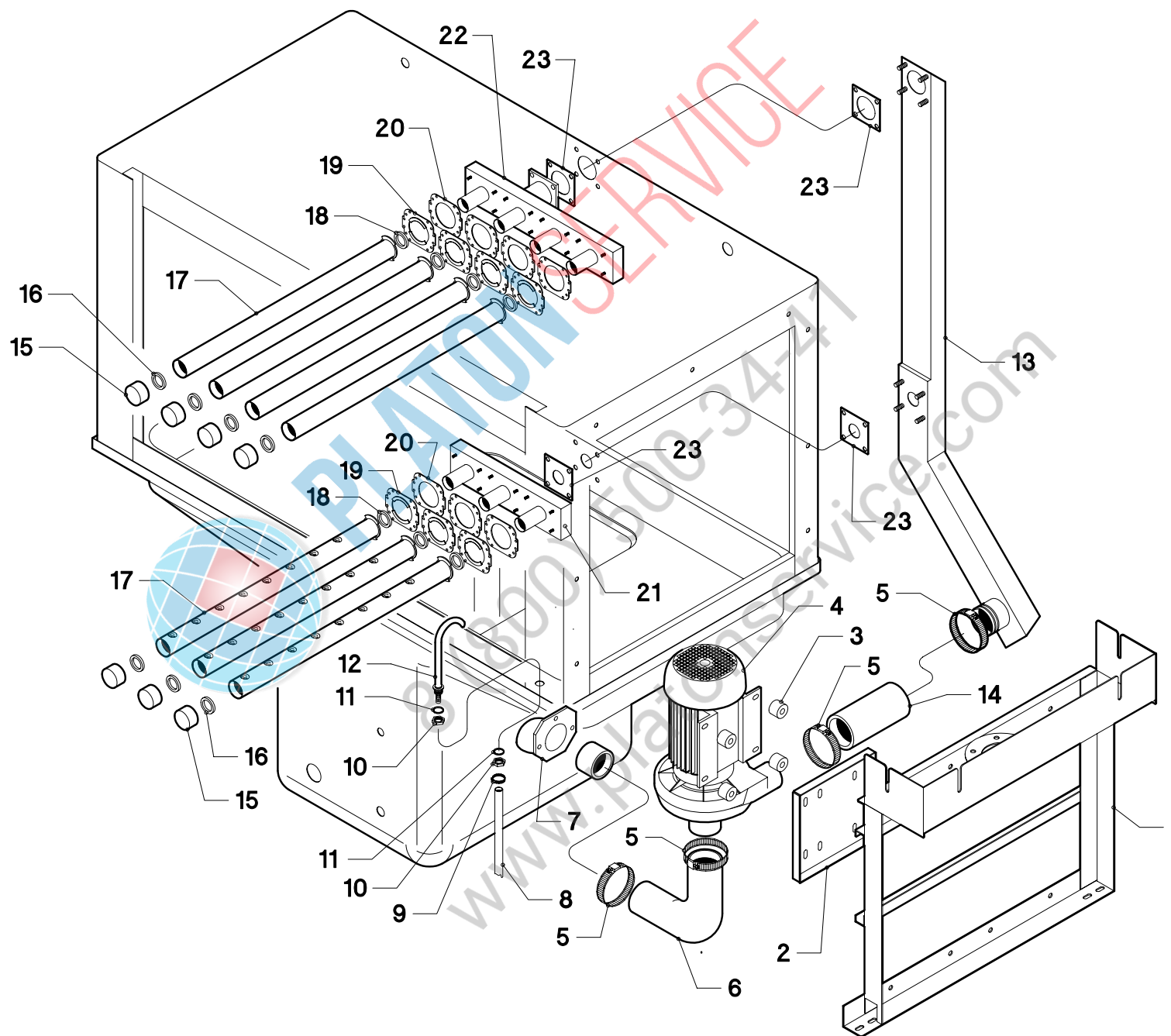




Pos.	COD.	Q.tà	DESCRIZIONE	DENOMINATION	DESCRIPTION	BEZEICHNUNG	DESCRIPCIÓN
35	905292	1	PRESSOSTATO	PRESSOSTAT	PRESSURE SWITCH	DRUCHWAECHTE	PRESOSTATO
36	906399	1	SQUADRETTA PRESSOSTATO	EQUERRE PRESSOSTAT	PRESSURE SWITCH BRACKET	WINKEL DRUCHWAECHTER	ANGULAR PRESÓSTATO
37	TR1071	1	SQUADRETTA REED	EQUERRE REED	REED BRACKET	WINKEL REED	ANGULAR REED
38	TR0309	1	REED MAGNETICO	REED	REED	REED	REED MAGNÉTICO
39	907125	1	TERMOSTATO DI SICUREZZA	THERMOSTAT	THERMOSTAT	THERMOSTAT	TERMÓSTATO DE SEGURIDAD
40	903982	2	MANOPOLA	BOUTON	KNOB	KNOFF	EMPUÑADURA
41	TR3435	1	SICUREZZA PORTA	SÉCURITÉ PORTE	DOOR SAFETY	SICHERHEITSTÜR	SEGURIDAD DE LA PUERTA
42	TR3436	1	SQUADRETTA SICUREZZA PORTA	EQUERRE SÉCURITÉ PORTE	DOOR SAFETY BRACKET	WINKEL SICHERHEITSTÜR	ANGULAR SEGUR. DE LA PUERTA
43	TR3437	1	PIASTRA X SICUREZZA PORTA	PLAQUE SÉCURITÉ PORTE	DOOR SAFETY PLATE	SICHERHEITSTÜRPLATTE	PLANCHA SEGURIDAD DE LA PUERTA
44	TR2162	2	SQUADRETTA TENDINA	EQUERRE RIDEAU	CURTAIN BRACKET	WINKEL SPRITZSCHUTZ	ANGULAR CORTINILLA
45	TR0470	2	TENDINA	RIDEAU	CURTAIN	SPRITZSCHUTZ	CORTINILLA
46	907110	1	TERMOSTATO BOILER	THERMOSTAT	THERMOSTAT	THERMOSTAT	TERMÓSTATO BOILER
47	907100	1	TERMOSTATO	THERMOSTAT	THERMOSTAT	THERMOSTAT	TERMÓSTATO
48	TR3371	1	SQUADRETTA TERMOSTATI	EQUERRE THERMOSTAT	THERMOSTAT BRACKET	WINKEL THERMOSTAT	ANGULAR TERMÓSTATO
49	TR3786	1	CONTROPORTA	CONTRE-PORTE	SECOND DOOR	GEGENTÜR	CONTRAPUERTA



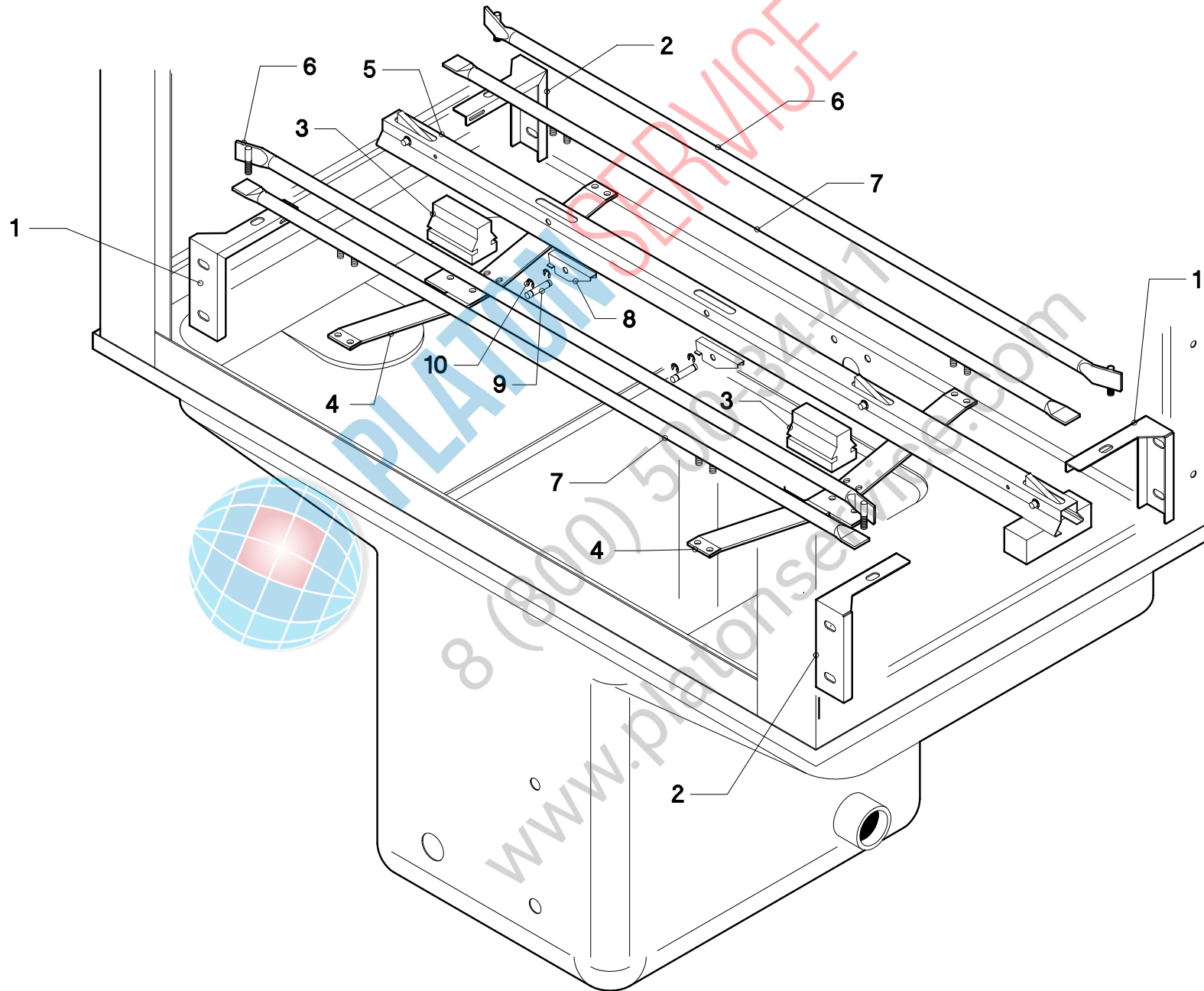
8 (800) 50024-41  
www.platonservice.com



Pos.	COD.	Q.tà	DESCRIZIONE	DENOMINATION	DESCRIPTION	BEZEICHNUNG	DESCRIPCIÓN
1	TR3804	1	SUPPORTO MOTORIDUTTORE	SUPPORT MOTOREDUCTEUR	SPEED REDUCER SUPPORT	GETRIEBEMOTORTRÄGER	SOPORTE MOTORREDUCTOR
2	TR0630	1	SUPPORTO POMPA	SUPPORT POMPE	PUMP SUPPORT	PUMPE TRÄGER	SOPORTE BOMBA
3	905015	4	AMMORTIZZATORI	AMORTISSEURS	SHOCK ABSORBERS	STOSSDÄMPFER	AMORTIGUADORES
4	TR0060	1	POMPA 1,35 KW	POMPE	PUMP	PUMPE	BOMBA
5	902490	4	FASCETTA Ø 58÷75	COLLIER	CLAMP	SHELLE	ABRAZADERA
6	903701	1	MANICOTTO	MANCHON	SLEEVE	MUFFE	PALANCA
7	TR0977	1	RACCORDO ASPIRAZIONE	RACCORD D'ASPIRATION	INTAKE PIPE FITTING	ANSAUGANSCHLUSSE	EMPALME DE ASPIRACIÓN
8	907350	1	TUBO GOMMA 12x22	TUYAU EN CAOUTCHOUC	RUBBER HOSE	GUMMISCHLAUCH	TUBO GOMA
9	902450	1	FASCETTA Ø 12÷24	COLLIER	CLAMP	SHELLE	ABRAZADERA
10	902100	2	DADO 3/8"	ECROU	NUT	MUTTER	TUERCA
11	904330	2	O-RING	O-RING	O-RING	O-RING	O-RING
12	TR1019	1	PIPA CARICO VASCA	TUYAU ALIM. CUVE	TANK LOADING PIPE	TANK FÜLLUNG	PIPA CARGA PILETA
13	TR1867	1	COLONNA LAVAGGIO	COLONNE DE LAVAGE	WASHING PIPE	SPÜLUNG SAÜLE	COLUMNA LAVADO
14	TR0476	1	MANICOTTO MANDATA	MANCHON DE REFAULEM.	OUTLET ELBOW	AUSLAMUFFE	PALANCA DE MANDO
15	TR3230	7	TAPPO	BOUCHON	PLUG	PROPFFEN	TAPÓN
16	TR2051	7	GUARNIZIONE	JOINT	GASKET	DICHTUNG	GUARNICIÓN
17	TR3652	7	BRACCIO LAVAGGIO	BRAS DE LAVAGE	WASHING ARM	WASCHLAUFRAD	BRAZO LAVADO
18	903404	7	GUARNIZIONE	JOINT	GASKET	DICHTUNG	GUARNICIÓN
19	TR2091	7	CONTROFLANGIA	CONTRE-BRIDE	FLANGE COUPLING	GEGENFLANSCH	CONTROBRIDA
20	TR2090	7	FLANGIA	FLASQUE	FLANGE	FLANSCH	BRIDA
21	TR0726	1	TUBO LAVAGGIO INFERIORE	TUYAU DE LAVAGE INF	LOWER WASHING PIPE	UNTERER SPÜLUNG SAÜLE	TUBO LAVADO INFERIOR
22	TR0713	1	TUBO LAVAGGIO SUPERIORE	TUYAU DE LAVAGE SUP.	UPPER WASHING PIPE	OBERER SPÜLUNG SAÜLE	TUBO LAVADO SUPERIOR
23	903381	4	GUARNIZIONE	JOINT	GASKET	DICHTUNG	GUARNICIÓN



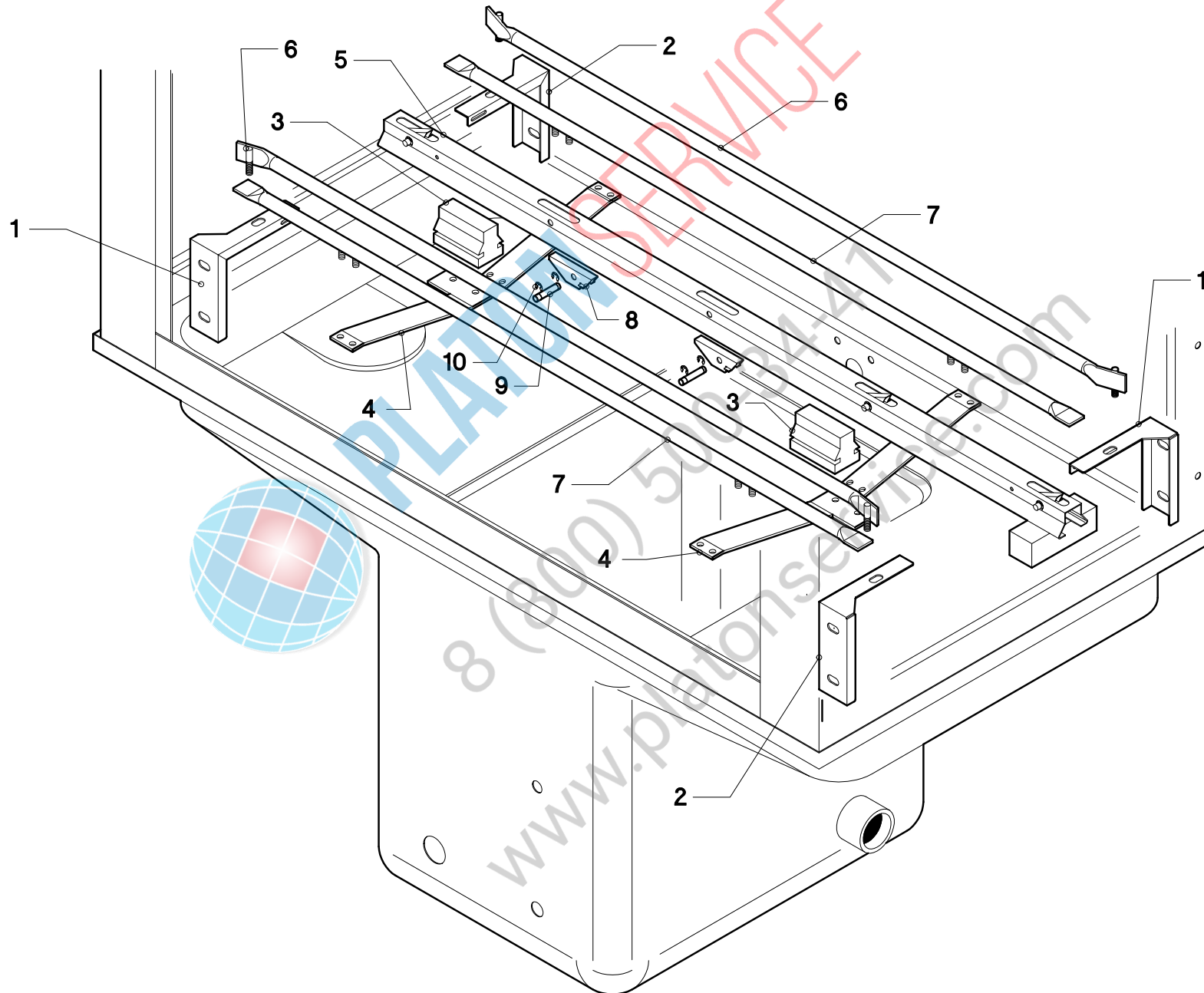
Pos.	COD.	Q.tà	DESCRIZIONE	DENOMINATION	DESCRIPTION	BEZEICHNUNG	DESCRIPCIÓN
1	TR3804	1	SUPPORTO MOTORIDUTTORE	SUPPORT MOTOREDUCTEUR	SPEED REDUCER SUPPORT	GETRIEBEMOTORTRÄGER	SOPORTE MOTORREDUCTOR
2	TR0630	1	SUPPORTO POMPA	SUPPORT POMPE	PUMP SUPPORT	PUMPE TRÄGER	SOPORTE BOMBA
3	905015	4	AMMORTIZZATORI	AMORTISSEURS	SHOCK ABSORBERS	STOSSDÄMPFER	AMORTIGUADORES
4	TR0060	1	POMPA 1,35 KW	POMPE	PUMP	PUMPE	BOMBA
5	902490	4	FASCETTA Ø 58÷75	COLLIER	CLAMP	SHELLE	ABRAZADERA
6	903701	1	MANICOTTO	MANCHON	SLEEVE	MUFFE	PALANCA
7	TR0977	1	RACCORDO ASPIRAZIONE	RACCORD D'ASPIRATION	INTAKE PIPE FITTING	ANSAUGANSCHLUSSE	EMPALME DE ASPIRACIÓN
8	907350	1	TUBO GOMMA 12x22	TUYAU EN CAOUTCHOUC	RUBBER HOSE	GUMMISCHLAUCH	TUBO GOMA
9	902450	1	FASCETTA Ø 12÷24	COLLIER	CLAMP	SHELLE	ABRAZADERA
10	902100	2	DADO 3/8"	ECROU	NUT	MUTTER	TUERCA
11	904330	2	O-RING	O-RING	O-RING	O-RING	O-RING
12	TR1019	1	PIPA CARICO VASCA	TUYAU ALIM. CUVE	TANK LOADING PIPE	TANK FÜLLUNG	PIPA CARGA PILETA
13	TR1867	1	COLONNA LAVAGGIO	COLONNE DE LAVAGE	WASHING PIPE	SPÜLUNG SAÜLE	COLUMNA LAVADO
14	TR0476	1	MANICOTTO MANDATA	MANCHON DE REFAULEM.	OUTLET ELBOW	AUSLAMUFFE	PALANCA DE MANDO
15	TR3230	7	TAPPO	BOUCHON	PLUG	PROPFFEN	TAPÓN
16	TR2051	7	GUARNIZIONE	JOINT	GASKET	DICHTUNG	GUARNICIÓN
17	TR3652	7	BRACCIO LAVAGGIO	BRAS DE LAVAGE	WASHING ARM	WASCHLAUFRAD	BRAZO LAVADO
18	903404	7	GUARNIZIONE	JOINT	GASKET	DICHTUNG	GUARNICIÓN
19	TR2091	7	CONTROFLANGIA	CONTRE-BRIDE	FLANGE COUPLING	GEGENFLANSCH	CONTROBRIDA
20	TR2090	7	FLANGIA	FLASQUE	FLANGE	FLANSCH	BRIDA
21	TR0726	1	TUBO LAVAGGIO INFERIORE	TUYAU DE LAVAGE INF	LOWER WASHING PIPE	UNTERER SPÜLUNG SAÜLE	TUBO LAVADO INFERIOR
22	TR0713	1	TUBO LAVAGGIO SUPERIORE	TUYAU DE LAVAGE SUP.	UPPER WASHING PIPE	OBERER SPÜLUNG SAÜLE	TUBO LAVADO SUPERIOR
23	903381	4	GUARNIZIONE	JOINT	GASKET	DICHTUNG	GUARNICIÓN



Pos.	COD.	Q.tà	DESCRIZIONE	DENOMINATION	DESCRIPTION	BEZEICHNUNG	DESCRIPCIÓN
1	TR1900	2	SUPPORTO GUIDA CEST. DX	SUPPORT COULISSE	SUPPORT GUIDE	FÜHRUNG HALTERUNG	SOP. GUIA CANASTO DERECHO
2	TR1901	2	SUPPORTO GUIDA CEST. SX	SUPPORT COULISSE	SUPPORT GUIDE	FÜHRUNG HALTERUNG	SOP. GUIA CANASTO IZQUIERDA
3	TR0357	2	SUPPORTO GUIDA	SUPPORT COULISSE	FRICION PAD	GLEITSTUCK	SOPORTE GUIA
4	TR3681	2	SOSTEGNO GUIDA	SUPPORT RAIL	SUPPORT GUIDE	FÜHRUNG HALTERUNG	SOPORTE GUIA
5	TR3472	1	GUIDA SALTARELLI	RAIL SAUTERELLE	PAWL BAR	ZENTRALE MITNAHME	GUIA TRINQUETES
6	TR3441	2	GUIDA CESTELLO LATERALE	COULISSE LATERAL PANIER	LATERAL BASKET GUIDE	SEITLICH KORBUFÜHRUNG	GUIA LATERAL CANASTOS
7	TR3449	2	GUIDA CESTELLO INFERIORE	COULISSE INFERIEUR PANIER	LOWER BASKET GUIDE	UNTERE KORBUFÜHRUNG	GUIA INFERIOR CANASTOS
8	TR3351	5	SALTARELLO	SAUTERELLE	PAWL	NOCHE	TRINQUETE
9	TR2129	5	PERNO	AXE	PIN	STIFT	PERNO
10	TR0321	10	SEEGER	SEEGER	SEEGER	SEEGERSICHERUNG	RETÉN



PLATON SERVICE  
 8 (800) 500-34-41  
 www.platonservice.com

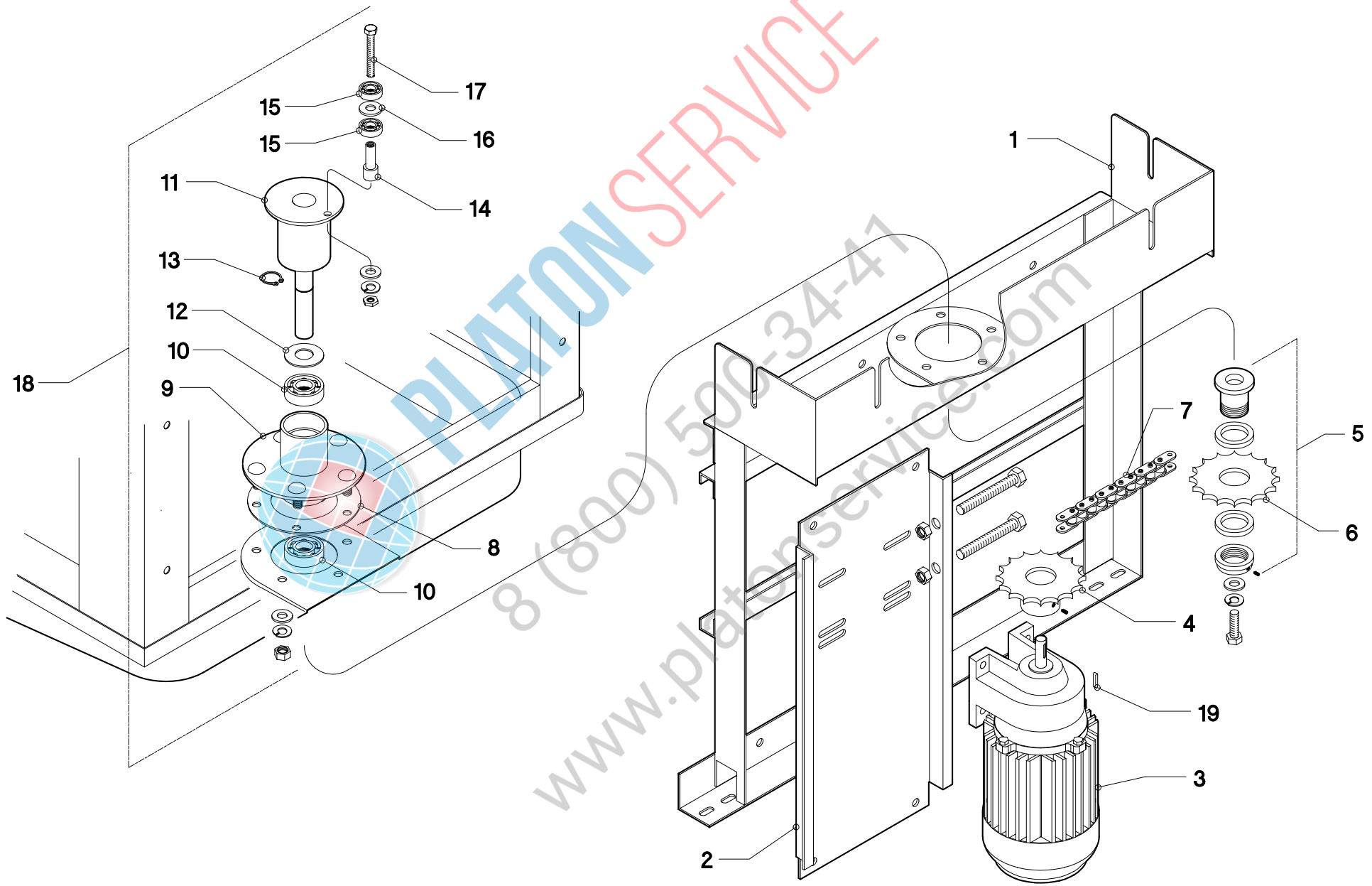




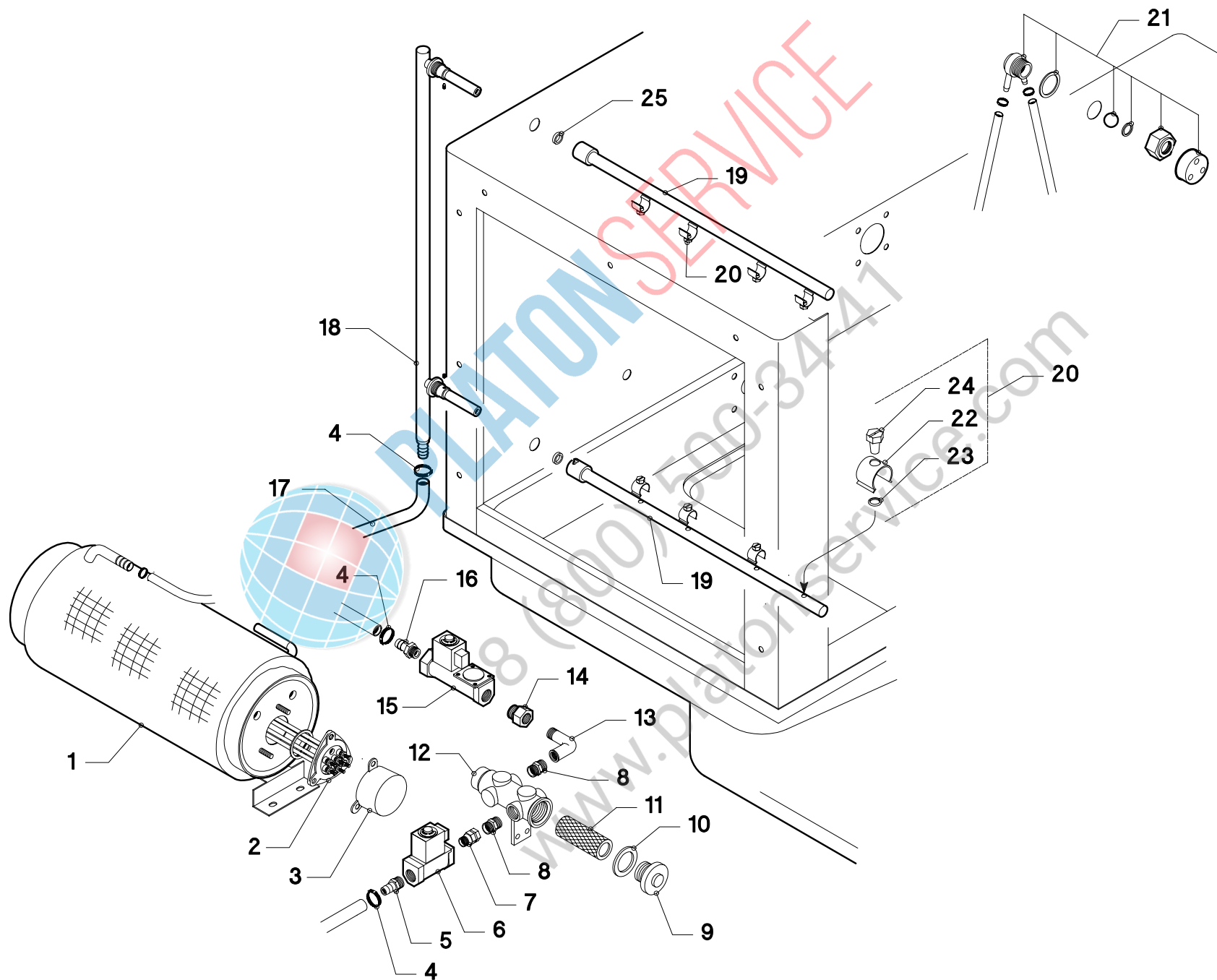
Pos.	COD.	Q.tà	DESCRIZIONE	DENOMINATION	DESCRIPTION	BEZEICHNUNG	DESCRIPCIÓN
1	TR1900	2	SUPPORTO GUIDA CEST. DX	SUPPORT COULISSE	SUPPORT GUIDE	FÜHRUNG HALTERUNG	SOP. GUIA CANASTO DERECHO
2	TR1901	2	SUPPORTO GUIDA CEST. SX	SUPPORT COULISSE	SUPPORT GUIDE	FÜHRUNG HALTERUNG	SOP. GUIA CANASTO IZQUIERDA
3	TR0357	2	SUPPORTO GUIDA	SUPPORT COULISSE	FRICTION PAD	GLEITSTUCK	SOPORTE GUIA
4	TR3681	2	SOSTEGNO GUIDA	SUPPORT RAIL	SUPPORT GUIDE	FÜHRUNG HALTERUNG	SOPORTE GUIA
5	TR3472	1	GUIDA SALTARELLI	RAIL SAUTERELLE	PAWL BAR	ZENTRALE MITNAHME	GUIA TRINQUETES
6	TR3441	2	GUIDA CESTELLO LATERALE	COULISSE LATERAL PANIER	LATERAL BASKET GUIDE	SEITLICH KORBUFÜHRUNG	GUIA LATERAL CANASTOS
7	TR3449	2	GUIDA CESTELLO INFERIORE	COULISSE INFERIEUR PANIER	LOWER BASKET GUIDE	UNTERE KORBUFÜHRUNG	GUIA INFERIOR CANASTOS
8	TR3351	5	SALTARELLO	SAUTERELLE	PAWL	NOCHE	TRINQUETE
9	TR2129	5	PERNO	AXE	PIN	STIFT	PERNO
10	TR0321	10	SEEGER	SEEGER	SEEGER	SEEGERSICHERUNG	RETÉN



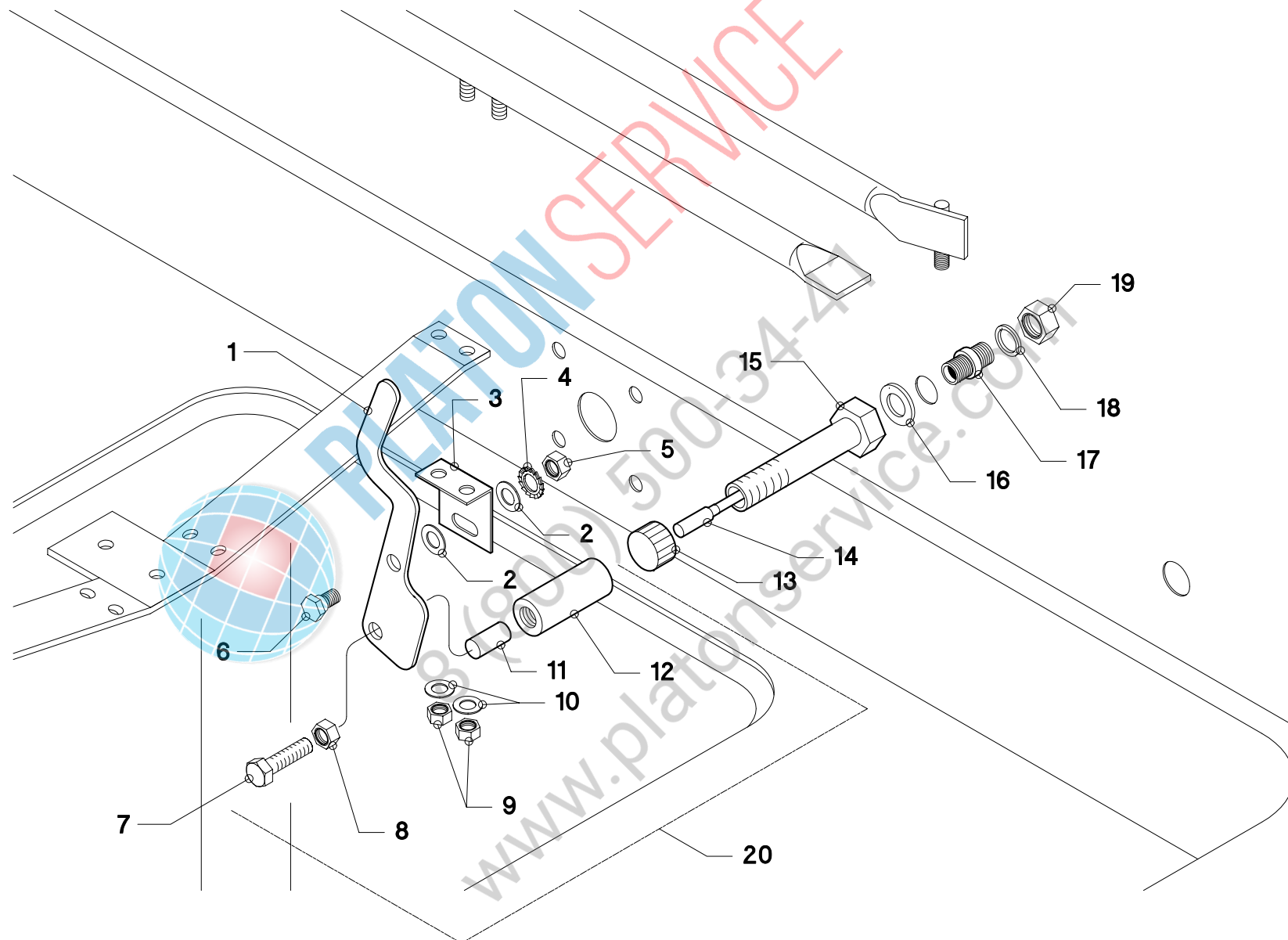
PLATON SERVICE  
 8 (800) 500-34-41  
 www.platonservice.com



Pos.	COD.	Q.tà	DESCRIZIONE	DENOMINATION	DESCRIPTION	BEZEICHNUNG	DESCRIPCIÓN
1	TR3804	1	SUPPORTO MOTORIDUTTORE	SUPPORT MOTOREDUCTEUR	SPEED REDUCER SUPPORT	GETRIEBEMOTORTRÄGER	SOPORTE MOTORREDUCTOR
2	TR3812	1	PIASTRA MOTORIDUTTORE	PLAQUE MOTOREDUCTEUR	SPEED REDUCER PLATE	GETRIEBEMOTORPLATTE	PLANCHA MOTORREDUCTOR
3	TR0250	1	MOTORIDUTTORE 1 VELOCITÀ	MOTOREDUCTEUR	SPEED REDUCER	GETRIEBEMOTOR	MOTORREDUCTOR
4	TR0512	1	PIGNONE Z14	PIGNON	SPROCKET	RITZEL	PIÑÓN
5	TR0241	1	LIMITATORE DI COPPIA	LIMITATEUR DE COUPLE	CLUTCH	KUPPLUNG	LIMITADOR DE PARES
6	TR0158	1	CORONA Z22	COURONNE	SPROCKET	ZAHNRAD	CORONA
7	TR0025	1	CATENA	CHAINE	CHAIN	KETTE	CADENA
8	TR0199	1	GUARNIZIONE MOZZO	JOINT	GASKET	DICHTUNG	GUARNICIÓN
9	TR1872	1	MOZZO	MOYEU	HUB	NABE	BUJE
10	TR0049	2	CUSCINETTO	ROULEMENT	BALL BEARING	KUGELLAGER	COJINETE
11	TR1873	1	MANOVELLA TRAINO	MANIVELLE	CRANK	EXZENTER	MANIVELA
12	TR0005	1	ANELLO TENUTA	BAGUE ÉTANCHÉITE	SEAL	O-RING	ANILLO SOSTEN
13	TR2049	1	SEEGER	SEEGER	SEEGER	SEEGERSICHERUNG	RETÉN
14	TR2060	1	PERNO PER CUSCINETTO	AXE	PIN	STIFT	PERNO PARA COJINETE
15	TR0050	2	CUSCINETTO	ROULEMENT	BALL BEARING	KUGELLAGER	COJINETE
16	TR2050	1	RONDELLA	RONDELLE	WASHER	UNTERLEGSCHIEBE	ARANDELA
17	907840	1	VITE	VIS	SCREW	SCHRAUBE	TORNILLO
18	TR1871	1	GRUPPO TRAINO	AVANCEMENT	DRIVE EXCENTER	EXZENTER	REMOLQUE
19	TR1045	1	CHIAVETTA 6x6x25	GOUPILLE	KEY	PASSFEDER	CHAVETA



Pos.	COD.	Q.tà	DESCRIZIONE	DENOMINATION	DESCRIPTION	BEZEICHNUNG	DESCRIPCIÓN
1	TR0035	1	BOILER	CHAUFFE EAU	BOILER	HEISSWASSERSPEICHER	BOILER
2	TR0331	1	RESISTENZA 14KW	RESISTANCE	HEATING ELEMENT	HEIZKÖRPER	RESISTENCIA
3	901812	1	COPRIRESISTENZA	PROTECTION RESISTANCE	HEATING COVER	HEIZKÖRPER SCHUTZ	CUBRE RESISTENCIA
4	902450	3	FASCETTA Ø 12÷24	COLLIER	CLAMP	SHELLE	ABRAZADERA
5	TR2375	1	RACCORDO PORTAGOMMA ½"	RACCORD	PIPE FITTING	ANSCHLUSSE	EMPALME GOME
6	TR0091	1	ELETTROVALVOLA ½"	SOUPAPE ELECTRIQUE	ELECTRIC VALVE	ELEKTROVENTIL	VALVULA ELETRICA
7	TR2335	1	BOCCHETTONE DIRITTO ½"	GOULOTTE	PIPE UNION	STUTZEN	RAMPA DE DESAGÜE RECTO
8	TR2322	2	NIPPLO ½"	NIPPLES	NIPPLE	NIPPLE	NIPLE
9	TR2382	1	TAPPO	BOUCHON	PLUG	PROPFEN	TAPÓN
10	903406	1	GUARNIZIONE	JOINT	GASKET	DICHTUNG	GUARNICIÓN
11	TR0123	1	FILTRO A CARTUCCIA	FILTRE	FILTER	FILTER	FILTRO CON CARTUCHO
12	TR0126	2	FILTRO 2 VIE	FILTRE	FILTER	FILTER	FILTRO 2 DIRECCIONES
13	TR2333	1	BOCCHETTONE CURVO ½"	GOULOTTE	PIPE UNION	STUTZEN	RAMPA DE DESAGÜE CURVO
14	TR2366	1	RIDUZIONE ¾" - ½"	REDUCTION	REDUCTION	VERMINDERUNG	TUBO CINC
15	TR0090	1	ELETTROVALVOLA ¾"	SOUPAPE ELECTRIQUE	ELECTRIC VALVE	ELEKTROVENTIL	VALVULA ELETRICA
16	907890	1	RACCORDO PORTAGOMMA ¾"	RACCORD	PIPE FITTING	ANSCHLUSSE	EMPALME GOME
17	907350		TUBO GOMMA 12x22	TUYAU EN CAOUTCHOUC	RUBBER HOSE	GUMMISCHLAUCH	TUBO GOMA
18	TR0582	1	COLONNA RISCIACQUO	COLONNE DE RINÇAGE	RINSE PIPE	SPÜLUNG SAÜLE	COLUMNNA ENJUAGUE
19	TR3671	2	BRACCIO RISCIACQUO SUP./INF.	BRAS RINÇAGE SUP./INF.	UPPER/LOWER RINSE ARM	OBERER/UNTERER NACHSPÜL	BRAZO ENJUAGUE SUP./INF.
20	TR3350	8	ASSIEME UGELLO	BUSE COMPLETE	COMPLETE SPRAYING NOZZLE	KOMPLETTE SPRITZDÜSE	INJECTOR COMPLETO
21	907460	1	VALVOLA ANTIRITORNO	VALVE	VALVE	VENTIL	VALVULA ANTIREGRESO
22	959810	8	COLLARE GETTO RISCIACQUO	COLLIER JET DE RINÇAGE	RINSE JET COLLAR	SPÜLEN-STRAHL STELLRING	COLLAR JET ENJUAGUE
23	904388	8	O-RING	O-RING	O-RING	O-RING	O-RING
24	TR0009	8	UGELLO	BUSE	SPRAYING NOZZLE	SPRITZDÜSE	INJECTOR
25	TR1340	1	GUARNIZIONE	JOINT	GASKET	DICHTUNG	GUARNICIÓN

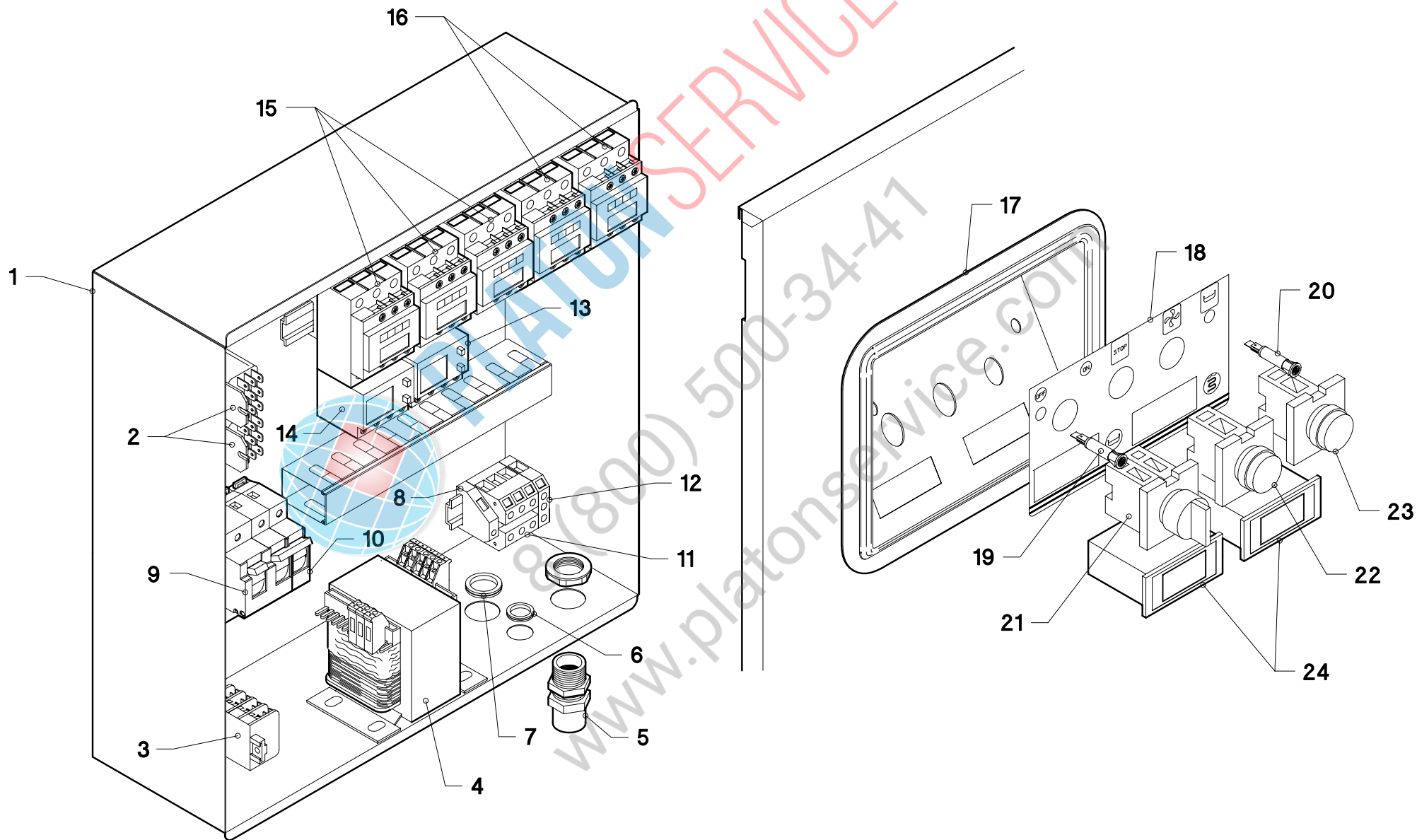


**LAVASTOVIGLIE A TRAINO - ECONOMIZZATORE**

ED. 2006

**TAV. 10**

Pos.	COD.	Q.tà	DESCRIZIONE	DENOMINATION	DESCRIPTION	BEZEICHNUNG	DESCRIPCIÓN
1	TR3566	1	LEVA ECONOMIZZATORE	LEVIER ECONOMISEUR	ACTUATOR	SPARSCHALTER	ACTIVA ECONOMIZADOR
2	905940	2	RONDELLA GROWER Ø8	RONDELLE	WASHER	UNTERLEGSCHIEBE	ARANDELA GROWER
3	TR1904	1	SUPPORTO ECONOMIZZATORE	EQUERRE ECONOMISEUR	ECONOMISER BRACKET	WINKEL SPARSCHALTER	SOPORTE ECONOMOZADOR
4	905890	1	RONDELLA Ø8 DENTATA	RONDELLE	WASHER	UNTERLEGSCHIEBE	ARANDELA
5	902020	1	DADO M8	ECROU	NUT	MUTTER	TUERCA
6	904771	1	PERNO SNODO	AXE	PIN	STIFT	PERNO
7	907845	1	VITE T.E. M10x45	VIS	SCREW	SCHRAUBE	TORNILLO
8	902022	1	DADO M10	ECROU	NUT	MUTTER	TUERCA
9	902010	2	DADO M6	ECROU	NUT	MUTTER	TUERCA
10	905930	2	RONDELLA GROWER Ø6	RONDELLE	WASHER	UNTERLEGSCHIEBE	ARANDELA GROWER
11	TR0249	1	MAGNETE REED	REED	REED	REED	MAGNÉTE REED
12	TR1212	1	CUSTODIA MAGNETE	PROTECTION MAGNETO	COVER MAGNET	MAGNETSCHUTZ	ESTUCHE PARA IMÁN
13	906453	1	TAPPO	BOUCHON	PLUG	PROPFEN	TAPÓN
14	TR0309	1	REED MAGNETICO	REED	REED	REED	REED MAGNÉTICO
15	TR0600	1	CUSTODIA REED	PROTECTION REED	REED COVER	REEDSCHUTZ	ESTUCHE PARA REED
16	903410	1	GUARNIZIONE	JOINT	GASKET	DICHTUNG	GUARNICIÓN
17	TR3370	1	RACCORDO 3/8" GAS	RACCORD	PIPE FITTING	ABLAUFANSCHLUSS	EMPALME
18	904330	1	O-RING	O-RING	O-RING	O-RING	O-RING
19	902100	1	DADO 3/8"	ECROU	NUT	MUTTER	TUERCA
20	TR3595	1	ECONOMIZZATORE	ECONOMISEUR	ECONOMISER	SPARSCHALTER	ECONOMIZADOR





Pos.	COD.	Q.tà	DESCRIZIONE	DENOMINATION	DESCRIPTION	BEZEICHNUNG	DESCRIPCIÓN
1	TR3658	1	CASSETTA ELETTRICA	BOITE ELECTRIQUE	CABINET	SCHALKASTEN	CAJA ELÉCTRICA
2	TR0300	2	RELÉ 24V	RELAIS	RELAY	RELAIS	RELÉ
3	955068	1	MORSETTO PA80	BORNE	TERMINAL	KLEMMLEISTE	GRAMPA
4	TR0420	1	TRASFORMATORE 250A	TRANSFORMATEUR	TRANSFORMER	TRANSFORMATOR	TRASFORMADOR
5	TR0139	1	PRESSACAPO PG. 21	FIXAGE DU CABLE D'ALIM.	FIXING CABLE	KABELBEFESTIGER	PRESACAPO
6	904720	1	PASSACAPO	CHAUMARD	FAIRLEAD	KABELDURCHGANG	AISLADOR
7	904721	1	PASSACAPO	CHAUMARD	FAIRLEAD	KABELDURCHGANG	AISLADOR
8	TR0334	1	FERMA MORSETTO	ARRÊTÉE BORNE	TERMINAL BLOCK	KLEMMENBLOCK	BLOQUE GRAMPA
9	TR0222	1	INTERRUTTORE BIPOLARE 4A	INTERRUPTEUR 4A	SWITCH	DRUKKNOPF	INTERRUPTOR
10	TR0219	1	INTERRUTTORE UNIPOLARE 10A	INTERRUPTEUR 10A	SWITCH	DRUKKNOPF	INTERRUPTOR
11	TR0255	1	MORSETTO 35mm	BORNE	TERMINAL	KLEMMLEISTE	GRAMPA
12	TR0257	1	MORSETTO TERRA	BORNE	TERMINAL	KLEMMLEISTE	GRAMPA
13	TR0393	1	TERMICA 2,5/4 A	TERMIQUE	OVERLOAD RELAY	THERMOAUSLOSER	TERMICA
14	TR0390	1	TERMICA 0,63/1 A	TERMIQUE	OVERLOAD RELAY	THERMOAUSLOSER	TERMICA
15	907041	3	TELERUTTORE 9A	TELERUPTEUR	CONTACTOR	SCHUTZ	TELERRUPTOR
16	TR0373	2	TELERUTTORE 18A	TELERUPTEUR	CONTACTOR	SCHUTZ	TELERRUPTOR
17	955649	1	RETROTARGA	PLAQUETTE	PLATE	SCHILD	PLACA
18	906737	1	TARGA	PLAQUETTE	PLATE	SCHILD	PLACA
19	903631	1	LAMPADA SPIA ARANCIO	LAMPE	LAMP	KONTROLLAMPE	LÁMPARA
20	903634	1	LAMPADA SPIA VERDE	LAMPE	LAMP	KONTROLLAMPE	LÁMPARA
21	TR0310	1	SELETTORE 0 - 1	SELECTEUR 0 - 1	SELECTOR 0 - 1	WAHLSCHALTER	SELECCIONADOR
22	TR0287	1	PULSANTE LUMINOSO ROSSO	BOUTON ROUGE	RED PUSH BUTTON	ROT DRUCKTASTE	INTERRUPTOR LUZ ROJO
23	TR0284	1	PULSANTE VERDE	BOUTON VERTE	GREEN PUSH BUTTON	GRUNE DRUCKTASTE	INTERRUPTOR VERDE
24	907090	2	TERMOMETRO MECCANICO	THERMOMETRE MECANIQUE	MECHANICAL THERMOMETER	MECHANISCHER THERMOMETER	TERMÓMETRO MECANICO